

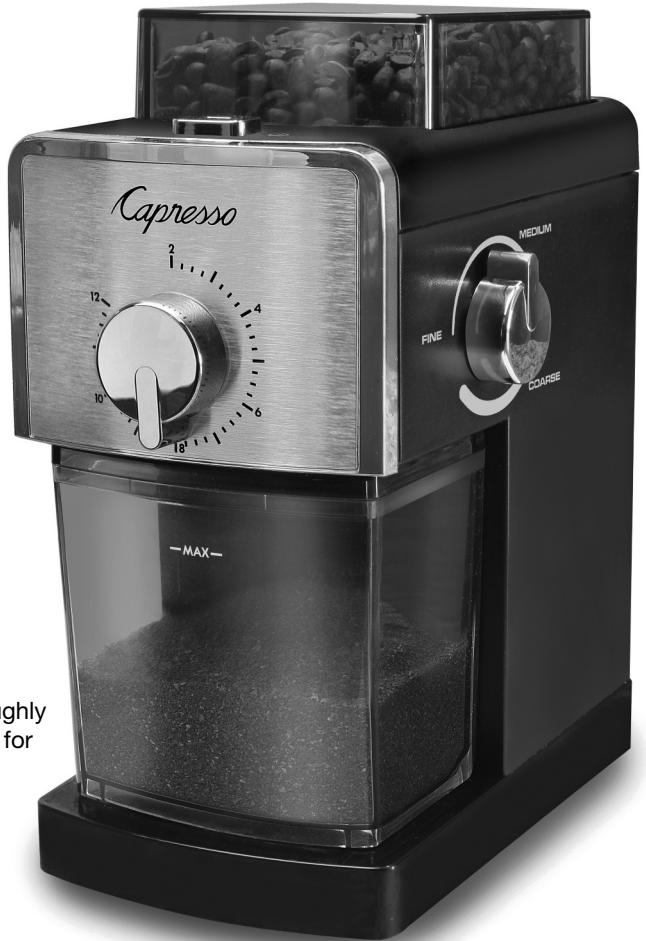
Capresso

Coffee Burr Grinder

Model #591

Instructions

Warranty



Read this manual thoroughly
before using and save it for
future reference

110W/120Vac/60 Hz

IMPORTANT SAFEGUARDS

When using electrical appliances, basic safety precautions should always be followed, including the following:

1. Read all instructions.
2. To protect against fire, electric shock and injury to persons, do not immerse cord, plugs, or body of machine in water or other liquid.
3. Close supervision is necessary when any appliance is used by or near children.
4. Unplug from outlet when not in use, before cleaning and before putting on or taking off parts. Allow to cool before putting on or taking off parts, and before cleaning the appliance.
5. Do not operate any appliance with a damaged cord or plug or after the appliance malfunctions, or is dropped, or has been damaged in any manner. Return appliance to the nearest authorized service facility for examination, repair, or adjustment.
6. The use of accessory attachments not recommended by Capresso may result in fire, electric shock, or injury to persons.
7. Do not use outdoors.
8. Do not let the cord hang over the edge of a table or counter, or touch hot surfaces.
9. Do not place on or near a hot gas or electric burner, or in a heated oven.
10. Do not use this appliance for other than intended use.
11. Use this appliance to grind roasted whole coffee beans only. Grinding other substances, such as nuts, spices or unroasted beans, may dull the burr and cause poor grinding or injury.
12. Check bean container for presence of foreign objects before using.
13. Avoid contacting moving parts.

FOR HOUSEHOLD USE ONLY SAVE THESE INSTRUCTIONS

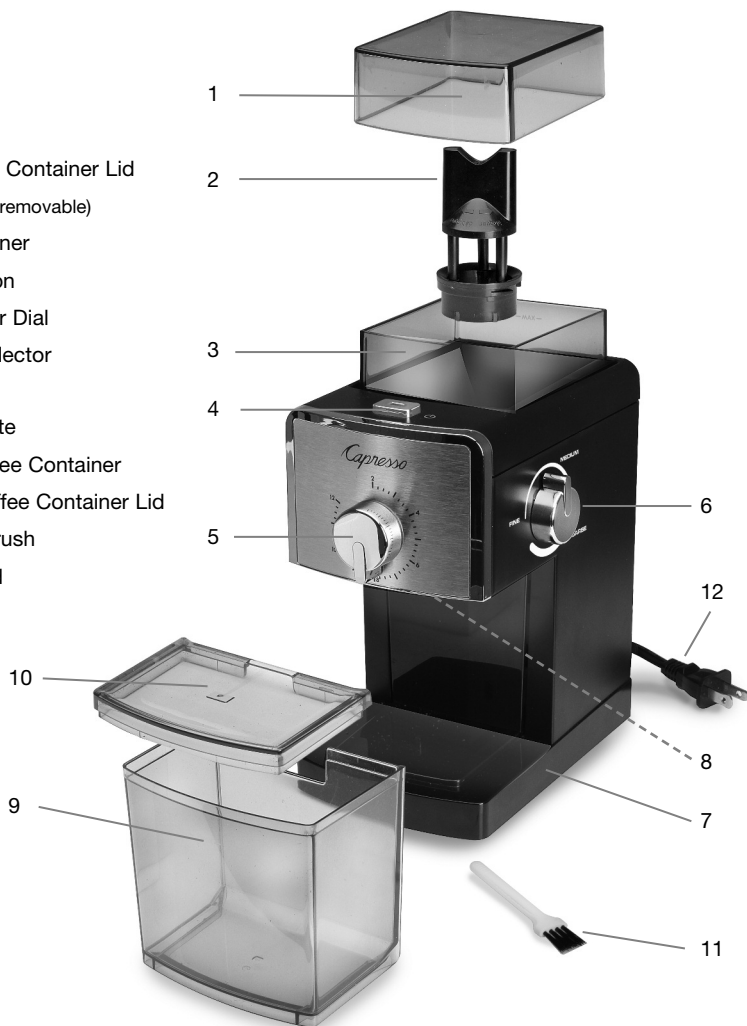
SPECIAL CORD SET INSTRUCTIONS

Regarding your Cord Set:

- A. A short power-supply cord is provided to reduce risks resulting from becoming entangled in or tripping over a longer cord.
- B. Extension cords are available and may be used if care is exercised in their use.
- C. If an extension cord is used, (1) the marked electrical rating of the extension cord should be at least as great as the electrical rating of the appliance, (2) if the appliance is of the grounded type, the extension cord should be a grounding type 3-wire cord, and (3) the longer cord should be arranged so that it will not drape over the counter top or table top where it can be pulled on by children or tripped over.
- D. This appliance has a polarized plug (one blade is wider than the other). To reduce the risk of electric shock, this plug will fit in a polarized outlet only one way. If the plug does not fit fully in the outlet, reverse the plug. If it still does not fit, contact a qualified electrician. Do not modify the plug in any way.

Fig. 1

1. Coffee Bean Container Lid
2. Upper Burr (removable)
3. Bean Container
4. On/Off Button
5. Cup Selector Dial
6. Fineness Selector
7. Base
8. Grinder Chute
9. Ground Coffee Container
10. Ground Coffee Container Lid
11. Cleaning Brush
12. Power Cord



CUSTOMER SERVICE

Thank you for choosing this Capresso product. Please study these instructions carefully before using your new grinder. For further information please call:

1-800-767-3554

**Monday-Thursday 8AM to 9PM,
Friday 8AM to 8PM and Saturday 9AM to 5PM Eastern Time Zone.**

If you call at any other time please leave a message with your telephone number and when we can call you back. You can also send us a **FAX** at: 201-767-9684 or **EMAIL** us at **contact@capresso.com**

IMPORTANT: Grinder was tested with beans during assembly. Despite cleaning, traces of ground coffee may be found in a new machine.

BEFORE FIRST USE

IMPORTANT: Coffee grinder will stop automatically if parts are not correctly aligned on the machine.

1. Unpack the grinder and remove all packaging materials.
2. Clean all loose parts with a dry cloth. NEVER clean any parts of the grinder in the dishwasher. NEVER get the burrs wet.
3. To remove any dust that may have accumulated on the removable parts during packing, wash the ground coffee container (1.9), its lid (1.10), and coffee bean container lid (1.1) with a warm water and a mild liquid soap solution. Rinse and dry.
IMPORTANT: Do not use harsh or abrasive agents to clean these parts.
4. Allow parts to dry completely before use.
WARNING: Putting wet parts back onto the grinder can damage the machine.
CAUTION: Do not immerse grinder or the removable upper burr (1.2) in water.
IMPORTANT: Do not place the ground coffee container (1.9), its lid (1.10), or the bean container lid (1.1) in the dishwasher.
5. Check the bean container (1.3) for presence of foreign objects before using.
6. Make sure the bean container is completely clean and dry before using.
7. Ensure upper burr (1.2) is locked into place by turning it counterclockwise.
8. Always operate the grinder with the coffee bean container lid (1.1), ground coffee container (1.9) and lid (1.10) in place.
9. Do not place your hand in or near the burrs.
10. Any servicing other than cleaning and user maintenance should be performed by an authorized Capresso service representative.

IMPORTANT: Burr grinder will not operate if the coffee bean container lid (1.1), ground coffee container (1.9) or ground coffee container lid (1.10) are not properly in place.

GRINDING

1. Place your Burr Grinder on a flat, level surface.
2. Ensure all parts are locked into place as described in **BEFORE FIRST USE**.
3. Plug the grinder into an outlet.
4. Fill the bean container with coffee beans and replace the lid. The bean container can hold up to 8 ounces of coffee beans.
Note: Only coffee beans should be filled into the bean container.
Never fill any of the following into the bean container: sugar-coated beans, syrups or other coatings, and instant coffee.
Never fill water or any other liquid into the bean container.
5. Set the cup selector dial to the number of cups of coffee you want to grind by turning the dial to the number of cups you will brew.
Note: These numbers are to be used as a guide. The amount of ground coffee varies quite a bit depending on how coarse or fine you grind and whether you use light, dry beans or dark, oily beans. After grinding a few times, you will find the correct grind amount position for the amount of coffee you want to grind.
Note: Never grind more coffee than indicated by the "MAX" fill line of the ground coffee container. Over filling the ground coffee container can cause clogging in the grinder chute, and can damage the machine.

6. Set the fineness selector to the desired setting (see Section "Guidelines for Fineness Selector Settings").
CAUTION: Never change the fineness selector setting while grinding!
7. Push down on the On/Off button for 2 seconds to start your Capresso grinder. The grinder will begin grinding the whole bean coffee directly into the ground coffee container. It will stop automatically.
Attention: Beans may stick to the wall of the bean container, preventing them from falling into the burrs. You will hear a high-pitched noise from the motor when this happens. Gently shake the grinder so that the beans slide down into the burrs.
Note: If you need to turn the grinder off before the grinding cycle is finished, simply push the On/Off button.
8. Be sure to unplug the appliance after every use.
Note: Coffee beans can stay in the bean container for up to 1 week before they will start to lose their aroma.

Guidelines for Fineness Selector Settings

Grind	Brewing Method
Fine	Pump Espresso Machines
Medium / Fine	Drip Coffee Makers / Steam Espresso
Medium	Manual Pour Over Coffee Brewing
Medium / Coarse	Percolator
Coarse	French Press

NOTE: The fineness settings are approximate guidelines. When using dark, oily beans, use a coarser grind; with light, dry beans, use a finer grind.

ATTENTION: For espresso pump machines: if your espresso brews too fast, try a finer setting. If your espresso brews too slowly, try a coarser setting than the ones recommended above.

NOTE: The finer the grind setting, the longer it takes to grind a certain amount of coffee.

Grinding Tips

- Never grind in advance, only grind the amount of coffee you will use. Ground coffee loses aroma and flavor quickly and attracts other odors.
- Do not grind for more than one minute at a time. Let machine cool down for 5 minutes before grinding again.
- Empty the ground coffee container before it is completely full, otherwise ground coffee can back up into the grinding chute (1.8) and block the grinding mechanism.
- Before removing the ground coffee container, tap the machine a few times. This will relieve some of the static build-up which occurs during grinding.

CLEANING

Always unplug your coffee grinder before cleaning.

- Remove the ground coffee container, its lid, and the bean container lid and clean them in a warm water and mild liquid soap solution.
Do not place these items in the dishwasher.
- Empty the bean container. The transparent part of the bean container can be wiped on the inside and outside with a damp cloth.
Do not clean the bean container with water.
- Remove ground coffee from the grinder chute (1.8) with the included cleaning brush (1.11).
- The base (1.7) of the grinder can be wiped clean with a damp cloth.
CAUTION: Never immerse the grinder in water or any other liquid.
Do not use harsh or abrasive materials to clean the coffee grinder.

CLEANING/REMOVING THE UPPER BURR DISK

1. Set the fineness selector dial (1.6) to the finest grind setting.
2. Grasp the top of the upper burr disk (1.2), turn clockwise and pull upward vertically to remove it from the bean container (1.3).
3. Lift the upper burr disk out of the grinder.
Note: Do not unscrew the upper burr from its housing!
4. Clean both the removable upper burr disk, and the permanent lower burr disk with the included cleaning brush (1.11).
Note: Never use water to clean the burr disks!
5. To reinsert the upper burr disk, set the fineness selector dial (1.6) to the coarse grind setting. Insert the upper burr and turn counterclockwise until it is locked into place.

TROUBLESHOOTING

The grinder does not work when On/Off button is pushed.

- *Make sure that the plug is inserted correctly into a working outlet.*
- *Ensure the lid of the bean container is properly placed onto the housing.*
- *Check that the ground coffee container and its lid are placed correctly into the base.*

The grinder stops during operation.

- *The grinder is overheated. The resettable thermal fuse of the motor was activated. To reset the thermal fuse, allow the appliance to cool down for approximately 30 minutes.
To avoid overheating, do not exceed the MAX indications of the ground coffee container.*
- *A removable part has become dislodged. Check that the coffee bean container lid (1.1) and the ground coffee container (1.9) and its lid (1.10) are correctly placed into the housing of the machine.*

Grinder clogs easily.

- *Unplug the unit and ensure the grinder chute (1.8) is clear of any clogs. Clean the grinder chute often.*
- *Try a new type of coffee bean. Do not use flavored or coated beans.*
- *If you are using oily beans, try a coarser grind setting*

The fineness selector does not work.

- *Check if the upper burr disk is correctly positioned in the bean container (see chapter "CLEANING/REMOVING THE UPPER BURR DISK").*

LIMITED ONE YEAR WARRANTY

This warranty covers your CAPRESSO machine, model #591 Burr Grinder. The model # can be found on the bottom of the machine. This warranty is in effect for one year from the date of the first consumer purchase. This warranty covers all defects in materials or workmanship (parts and labor).

This warranty does not cover:

- Any machine not purchased from an Authorized Capresso Dealer.
- Commercial use of the machine.
- Damage caused by accident, abuse, negligence, misuse, improper operation or failure to follow instructions contained in this manual.
- Any service or alteration performed by an unauthorized person, company or association.

Other limitations and exclusions:

Any implied warranties including fitness for use and merchantability are limited in duration to the period of the express warranty set forth above and no person is authorized to assume for JURA any other liability in connection with the sale of the machine. JURA expressly disclaims liability for incidental and consequential damages caused by the machine. The terms "incidental damages" refers to the loss of the original purchasers time, loss of the use of the machine or other costs relating to the care and custody of the machine. The term "consequential damages" refers to the cost of repairing or replacing other property which is damaged when this machine does not work properly. The remedies provided under this warranty are exclusive and in lieu of all others. This warranty gives you specific legal rights, and you may also have other rights which vary from state to state.

CAPRESSO CUSTOMER SERVICE

Capresso Coffee Burr Grinder, Model #591 Product Registration

Please go to our website www.capresso.com to register your product. Your information will help us to better serve you.

Customer Service

1-800-767-3554

Mon-Thu 8AM – 9PM • Fri 8AM – 8PM • Sat 9AM – 5PM
Eastern Time Zone

email: contact@capresso.com

JURA Inc.

20 Craig Road, Montvale, NJ 07645

201-767-3999 • Fax: 201-767-9684

Website: www.capresso.com